

1490003010

ITSV-3

Powerful Desktop Video Phone with 7" Touch Screen & Real-Time HD Video Telephony Thru ITS-V5



- ✓ Video desktop intercom station supporting ICX-AlphaCom, SIP and IC-EDGE solutions
- ✓ 4-core 1.3GHz ARM Cortex A53 processor with 2GB RAM and 8GB eMMC Flash
- ✓ Runs on Android 7.0 operating system
- ✓ 7" (1024x600) capacitive 5-point touch screen TFT LCD
- ✓ Built-in Bluetooth for syncing with mobile devices and connecting Bluetooth headset
- ✓ Integrated dualband WiFi (2.4GHz & 5GHz)
- ✓ Built-in PoE/PoE+ to power the device and give it a network connection
- ✓ Built-in mega-pixel camera for video calling with privacy shutter
- ✓ 7-way audio conferencing & 3-way 720p 30fps HD video conferencing capability
- ✓ Speakerphone with HD acoustic chamber, advanced echo cancellation & excellent double-talk performance
- ✓ Dual-switched auto-sensing 10/100/1000Mbps network ports
- ✓ Supports up to 16 SIP accounts

 Video Intercom
  SIP
  Bluetooth
  IC-EDGE IC-Edge
  ICX-AlphaCom
  Audio
  HD Voice
  Video
  H.264

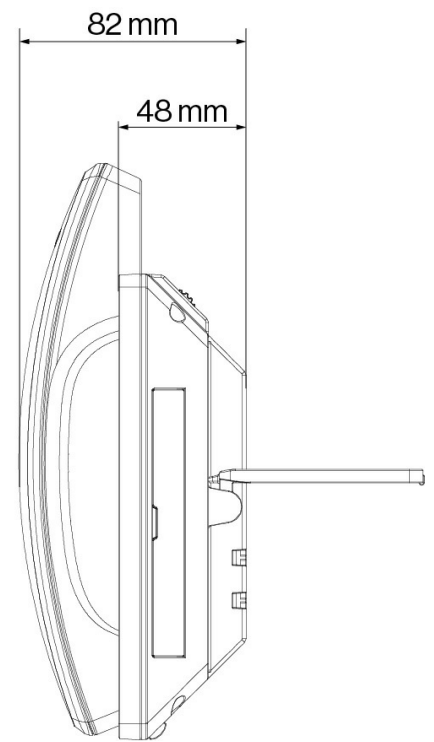
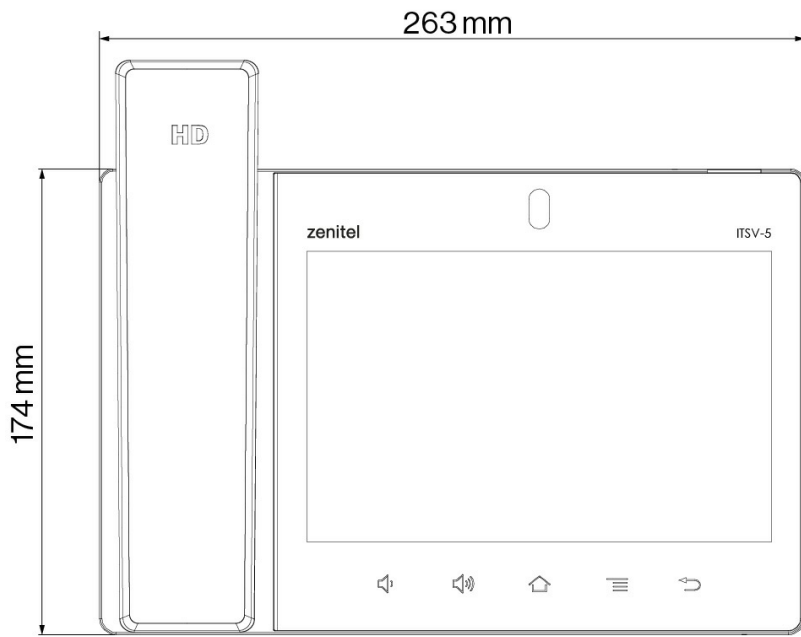
Description

The ITS-V3 is a powerful desktop video phone featuring Android 7.0, a 7" touch screen, real-time HD video telephony, built-in WiFi, Bluetooth, and more. The ITS-V3 delivers advanced SIP telephony features and out-of-the-box integration with our IC-EDGE and ICX-AlphaCom IP Intercom Platforms.

Package contents: ITS-V3 unit, handset with cord, base stand, wall mount, universal power supply, network cable, screen cleaning cloth, quick installation guide.

- ✓ [For more information go to Zenitel Wiki](#)

Technical Dimensions



Specifications

GENERAL

Dimension (WxLxH)	252 mm (W) x 209 mm (L) x 84 mm (H)
Weight	1.08 kg
Graphic Display	7" (1024x600) capacitive (5 points) touch screen TFT LCD
Camera	Tiltable mega-pixel CMOS camera with privacy shutter, 720P@30fps
Auxiliary Ports	RJ9 headset jack (allowing EHS with Plantronics headsets), 3.5mm stereo headset with microphone, USB port, SD, HDMI-out (1.4 up to 720p30fps)
Feature keys	2 function touch keys VOLUME +/-, 3 dedicated Android touch keys HOME, MENU, and BACK
Video Codec	H.263, H.264 BP/MP/HP
Video resolution	Up to 720p
Video frame rate	Up to 30 fps
Operating temperature range	0°C to +40°C
Storage temperature range	-10°C to +60°C
Relative humidity	10% - 90% non-condensing
Power options	Power over Ethernet (PoE & PoE+) or power adapter.
Power over Ethernet	802.3af Class 3, 802.3at Class 4
Power adapter	Input: 100-240VAC 50-60Hz; Output 12VDC 1.5A
Network Interface	2 x RJ45 (Ethernet) 10/100/1000 Mbps with integrated PoE
Bluetooth	Integrated, Bluetooth 4.0 + EDR
Wi-Fi	Integrated, dual-band 2.4 & 5GHz with 802.11 a/b/g/n
Security	User and administrator level passwords, MD5 and MD5-sess based authentication, 256-bit AES encrypted configuration file, TLS, SRTP, HTTPS, 802.1x media access contro
Protocols/Standards	SIP RFC3261, TCP/IP/UDP, RTP/RTCP, HTTP/HTTPS, ARP, ICMP, DNS (A record, SRV, NAPTR), DHCP, PPPoE, SSH, TFTP, NTP, STUN, SIMPLE, LLDPMED, LDAP, TR-069, 802.1x, TLS, SRTP, IPv6, OpenVPN®.
Audio technology	G.711µ/a, G.722 (wide-band), G.726-32, iLBC, Opus, G.729A/B in-band and outof-band DTMF (In audio, RFC2833, SIP INFO), VAD, CNG, AEC, PLC, AJB, AGC, ANS
Language support	English, German, Italian, French, Spanish, Portuguese, Russian, Croatian, Chinese, Korean, Japanese, Czech.
Compliance	FCC: Part 15 (CFR 47) Class B; UL 60950 (power adapter); Part68 (HAC) CE : EN55022 Class B, EN55024, EN61000-3-2, EN61000-3-3, EN60950-1, EN62479, RoHS RCM: AS/ACIF S004; AS/NZS CISPR22/24; AS/NZS 60950; AS/NZS 4268 IC: ICES 003, RSS 247, CS 03, RSS 102

Used With



TCIV-2+

IP and SIP Video Intercom



TCIV-3+

IP and SIP Video Intercom



TCIV-5+

IP and SIP Video Intercom



TCIV-6+

IP and SIP Video Intercom



TKIV+

Turbine Video & VoIP Intercom Module