


1023533312

## EMMAI-2H

Handheld Compact Industrial Microphone For Exigo/Turbine



 ICX-AlphaCom

 Exigo

 EN54-16 Certified

 IP66

- Handheld microphone for industrial applications
- PTT key
- Bracket included
- Noise cancelling microphone
- High quality digital background noise reduction
- IP66 Rating
- Low smoke and halogen free cable
- Designed for Exigo industrial access panels and Turbine industrial intercom stations

### DESCRIPTION

The EMMAI-2H is a handheld microphone developed specifically for the Industrial range of Turbine and Exigo devices. The small form factor and excellent ergonomics complement the outstanding audio quality. The bracket (included with microphone) allows the user to mount the device on the side of the wall box or on an adjacent surface.

## SPECIFICATIONS

### MECHANICAL

Dimensions (WxHxD)	44 x 68 x 21,5 mm
Weight	0,220 kg
Cable length	0,75 m (contracted) / 2 m (extended)
Bracket	Included
Surface	High friction, Rubberized

[Export Table Data](#)

### ELECTRICAL

Microphone sensitivity	-43 dB ± 3 dB at 1kHz ( 0 dB = 1 V/Pa ) VDD=2 V RL=15 kΩ
Directional Characteristic	Non-directional
Impedance	1.1 kΩ ± 30% at 1kHz ( RL=15 kΩ )
Phase	-179 deg ± 15 deg at 30Hz
S/N Ratio	68 dB typ. at 1kHz ( 1Pa, A weighted network )
Operating Voltage	2 V (1 V ~5 V )
Current Consumption	110 µA Max. ( VDD=2 V RL=15 kΩ )
Max Input Sound Pressure Level 128 dB	128 dB S.P.L. typ. ( 1 kHz, THD = 3 % )

[Export Table Data](#)

### ENVIRONMENTAL

IP Rating	IP66
Operating Temperature	-40° C - + 95° C
Storage Temperature	-40° C - + 105° C
Humidity	10% to 95% (non-condensing)

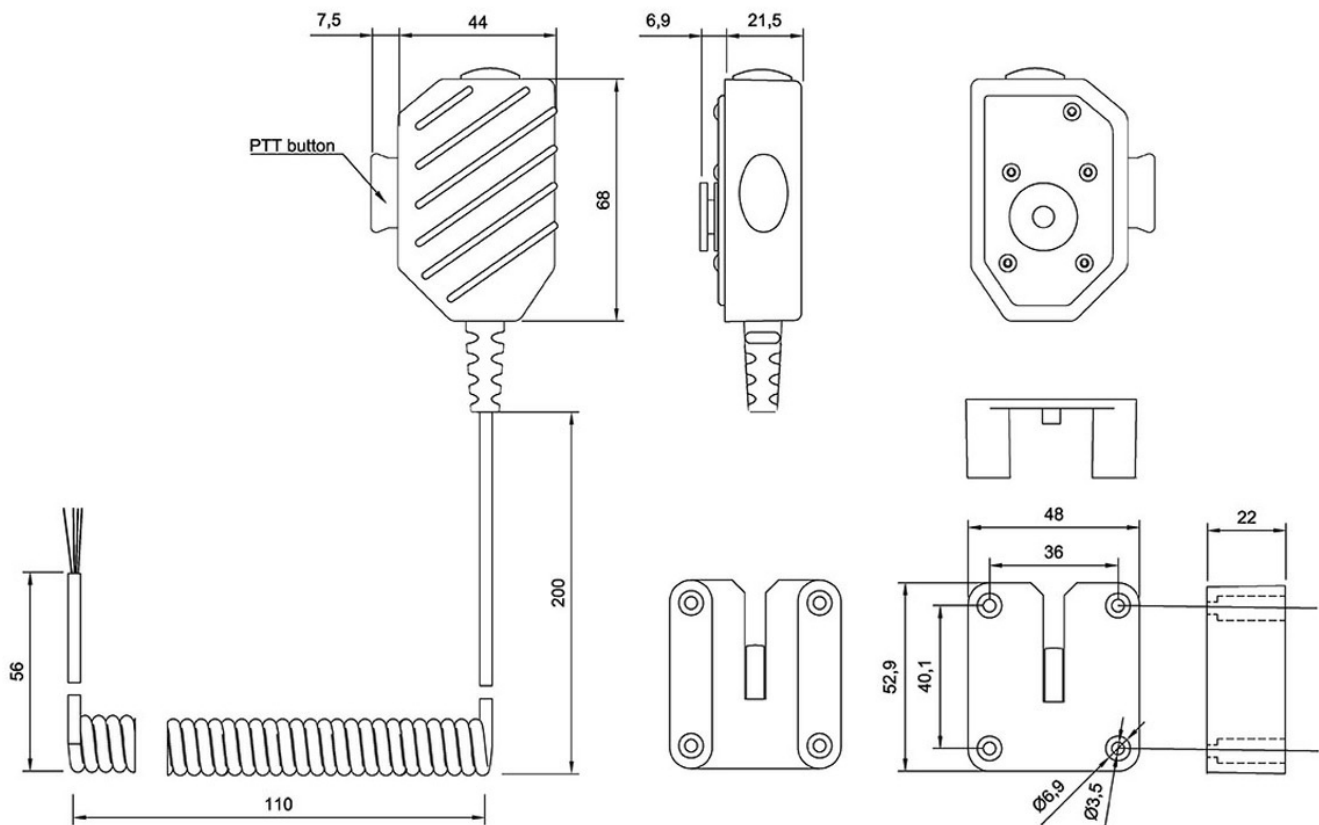
[Export Table Data](#)

### COMPATIBLE EQUIPMENT

Exigo	Exigo Ex access panels (EAPII-1 & EAPII-6)
Turbine	Turbine intercom stations (TFIE-1, TFIE-2, TFIE-3 )

[Export Table Data](#)

## TECHNICAL DIMENSIONS



## USED WITH



1023201206

**EAPII-6**

Exigo Industrial Access Panel, 6 Buttons



1023201201

**EAPII-1**

Exigo Industrial Access Panel, 1 Button

1008122010

**TFIE-1**

IP and SIP Intercom



1008122020

**TFIE-2**

IP and SIP Intercom



1008122060

**TFIE-6**

IP and SIP Intercom

